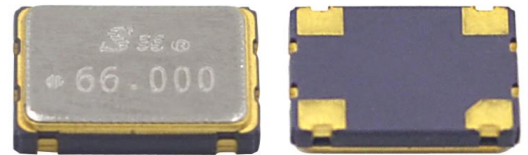


# TSQ-OSC7050

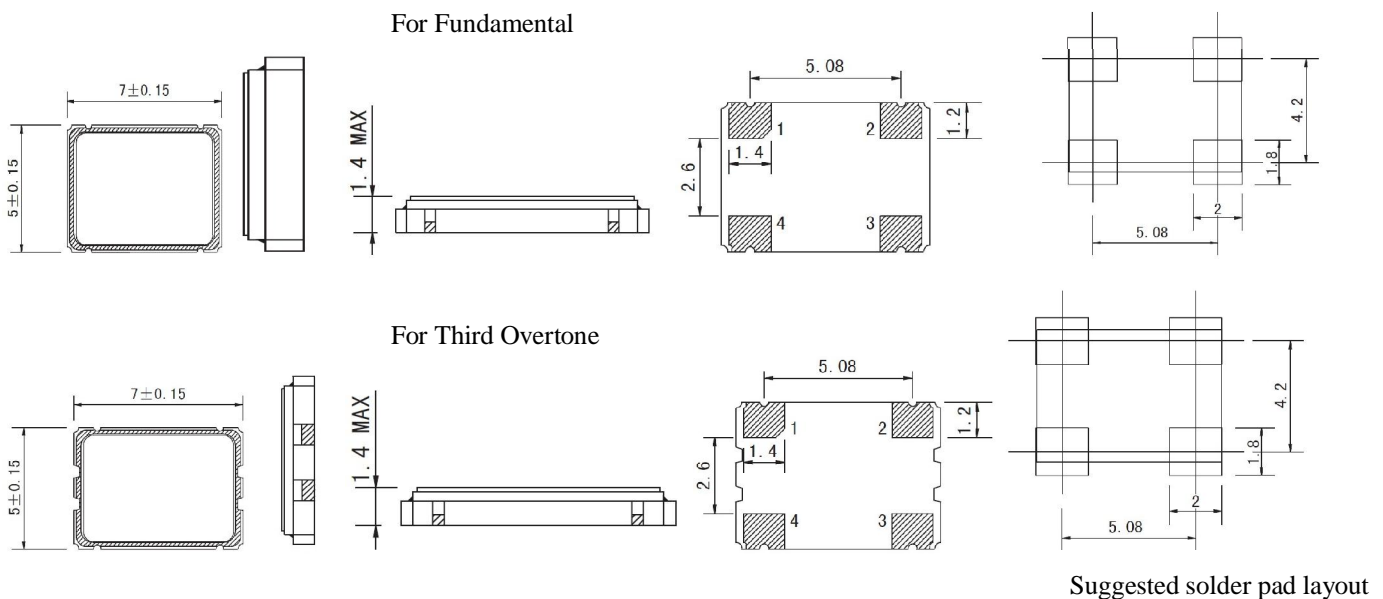
## FEATURES

- HCMOS compatible logic levels
- High precision characteristic covering up to high frequency range
- Low power standby mode, Reflow soldering.
- Pb-free and RoHS/Green compliant



SPECIFICATIONS	
Holder Type	7.0x5.0mm SMD OSCILLATOR
Frequency Range	32.768KHz, 1.000 MHz to 150.000 MHz
Operating Temperature Range	-20°C - +70°C / -40°C - +85°C
Storage Temperature Range	-40°C - +85°C/-55°C - +125°C
Supply Voltage	5.0V or 3.3V ± 10% Std; 1.8V, 2.5V, 2.85V on custom-designed
Symmetry (Duty Cycle)	40/60 Standard
Output Load	15pF HCMOS
Frequency Stability	± 20ppm to ± 50ppm
Current Consumption (15pf only)	1.000MHz - 35.999MHz=25mA max
(5.0V)	36.000MHz - 69.999MHz=60mA max 70.000MHz - 150.000MHz=80mA max
Current Consumption (15pf only)	1.000MHz - 35.999MHz=20mA max
(1.8V 2.5V 2.85V 3.3V)	36.000MHz - 69.999MHz=40mA max 70.000MHz - 150.000MHz=60mA max
Rise/Fall Time	5 nS max

## Mechanical Dimensions: Unit: mm



Note: Specifications are subject to change without notice. For more detail and update, please visit our website