

TSQ-2520SMD

FEATURES

- Rugged AT-cut crystal construction.
- Miniature 2.5 × 2.0mm ceramic package.
- Designed for automatic mounting and reflow soldering.
- Embossed taping specification
- Pb-free and RoHS/Green compliant.



APPLICATIONS

Ideally suited designed for Bluetooth wireless communication sets, HDD, DSN, PDA, GPS, Digital Tuner, Wireless LAN and mobile phone.

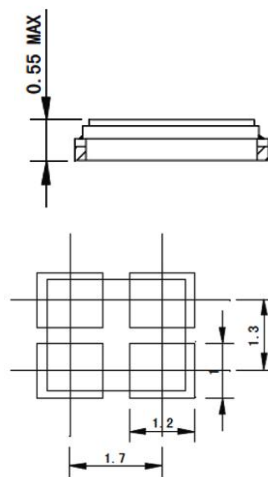
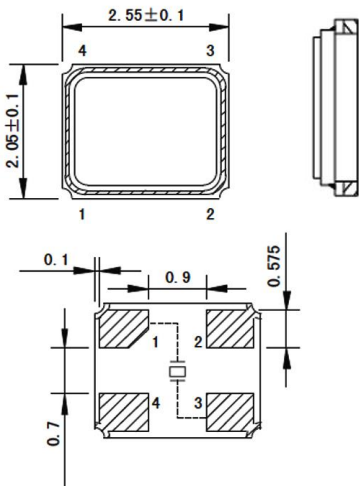
SPECIFICATIONS	
Holder Type	2.5x2.0mm Ceramic Surface Mount
Frequency Range	12MHz to 54MHz
Frequency Tolerance (ΔF) (at25°C)	±10ppm to ±30ppm
Frequency Drift	±10ppm to ±30ppm※(See Notes)
Operating Temperature Range	-20°C - +70°C / -40°C - +85°C
Storage Temperature Range	-40°C - +85°C / -55°C - +125°C
Aging (25°C)	±3ppm/ year Maximum
Shunt Capacitance (C0)	3pF maximum
Drive Level	10μW (100μW max.)
Insulation Resistance (Rs)	500 Mega ohms Minimum at D.C100V
Load Capacitance (CL)	Suggested by customer

※Notes: ±10, ±20, ±30ppm (-20°C to +70°C)
±20, ±30, ±50ppm (-40°C to +85°C) or depends on customer

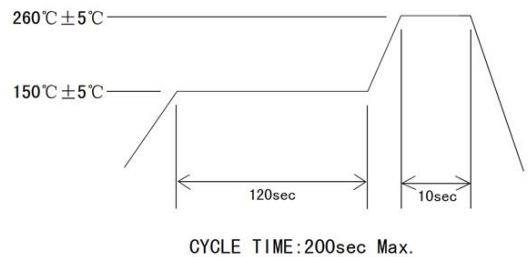
EQUIVALENT SERIES RESISTANCE(ESR) AND MODE OF OPERATION		
Frequency Range	ESR(Ω)	Mode
12.000MHz ≤ f < 20.000MHz	100max	Fundamental
20.000MHz ≤ f < 30.000MHz	80max	Fundamental
30.000MHz ≤ f < 40.000MHz	60max	Fundamental
40.000MHz ≤ f < 54.000MHz	40max	Fundamental

Mechanical Dimensions

Unit: mm



Reflow Condition



suggested solder pad layout

Note) #2, #4 is connected with a cover (Please connect with a GND or a power supply)

Note: Specification are subject to change without notice. For more detail and update, please visit our website.