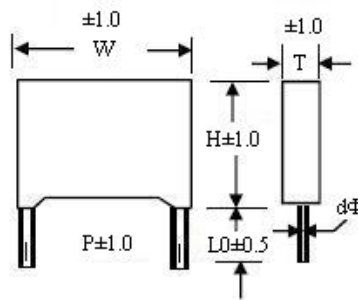
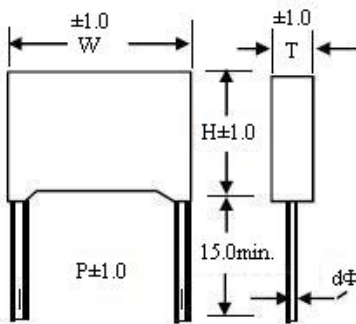
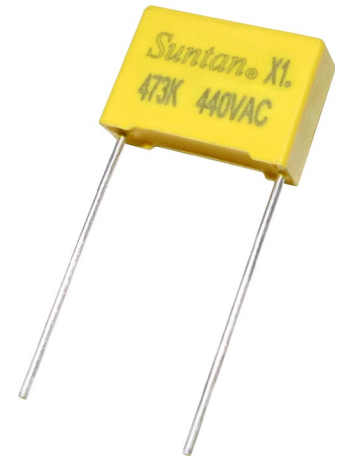


TS07X

FEATURES

- This specifications cover the requirements of Suntan Metallized Polypropylene
- Film AC Capacitor (Interference Suppressors Class-X1)

SPECIFICATIONS	
Capacitor Class	“X1” stands for X1 class
Climatic Category	55/ 105/ 21
Operating Temperature Range	-55°C~ +105°C (for which the capacitor can be operated continuously at rated voltage.
Rated Voltage	300V.AC, 440V.AC
Capacitance Range	0.0022 ~ 4.7μF
Capacitance Tolerance	±10%
Insulation Resistance (I.R.)	>=15,000 MOhm (C<=0.33μF) >=5,000 MOhm (C>0.33μF)
Dissipation Factor (DF)	0.001 (0.1%)max. at 1KHz



300V.AC STANDARD SIZE (mm)

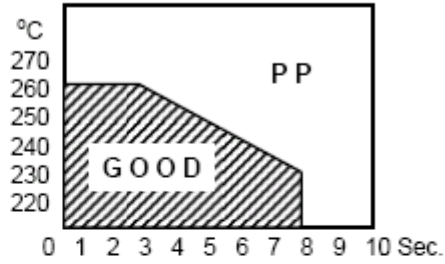
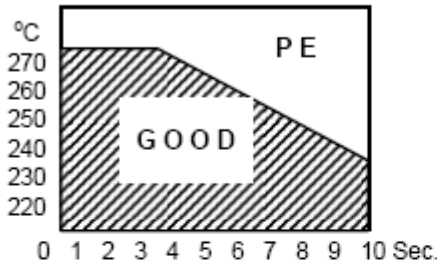
Mfd	W±1.0	H±1.0	T±1.0	P±1.0
0.0022	13.0	11.0	5.0	10.0
0.0033	13.0	11.0	5.0	10.0
0.0047	13.0	11.0	5.0	10.0
0.0056	13.0	11.0	5.0	10.0
0.0068	13.0	11.0	5.0	10.0
0.0082	13.0	11.0	5.0	10.0
0.01	18.0	11.0	5.0	15.0
	13.0	11.0	5.0	10.0
0.012	18.0	12.0	6.0	15.0
	13.0	11.0	5.0	10.0
0.015	18.0	12.0	6.0	15.0
	13.0	11.0	5.0	10.0
0.018	18.0	12.0	6.0	15.0
	13.0	11.0	5.0	10.0
0.022	18.0	12.0	6.0	15.0
	13.0	12.0	6.0	10.0
0.027	18.0	12.0	6.0	15.0
	13.0	12.0	6.0	10.0
0.033	18.0	12.0	6.0	15.0
0.039	18.0	12.0	6.0	15.0
0.047	18.0	12.0	6.0	15.0
0.056	18.0	12.0	6.0	15.0
0.068	18.0	13.5	7.5	15.0
0.082	18.0	13.5	7.5	15.0
0.1	18.0	14.5	8.5	15.0
0.12	18.0	14.5	8.5	15.0
	26.5	16.5	7.0	22.5
0.15	18.0	16.0	10.0	15.0

Mfd	W±1.0	H±1.0	T±1.0	P±1.0
0.18	26.5	17.0	8.5	22.5
	18.0	18.0	10.0	15.0
0.2	26.5	17.0	8.5	22.5
0.22	26.5	17.0	8.5	22.5
0.27	26.5	19.0	10.0	22.5
0.33	32.0	18.0	9.0	27.5
	26.5	19.0	10.0	22.5
0.39	32.0	18.0	9.0	27.5
	26.5	19.0	10.0	22.5
0.47	32.0	20.0	11.0	27.5
	26.5	20.0	11.5	22.5
0.56	32.0	21.5	13.0	27.5
0.68	32.0	21.5	13.0	27.5
0.82	32.0	25.5	16.0	27.5
1.0	32.0	26.0	18.0	27.5
1.2	32.0	26.0	18.0	27.5
1.5	38.0	30.0	20.0	31.0
2.0	41.0	31.5	24.0	37.5
2.2	41.0	31.5	24.0	37.5
2.7	48.0	32.0	22.0	41.0
3.0	48.0	37.0	25.0	41.0
3.3	48.0	37.0	25.0	41.0
3.9	58.0	38.0	26.0	51.0
4.7	58.0	38.0	26.0	51.0
0.033	13.0	12.0	6.0	10.0

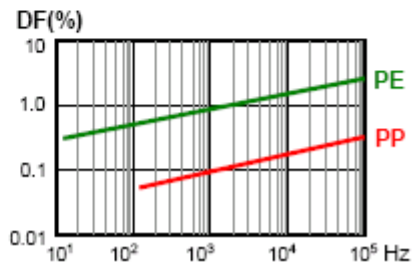
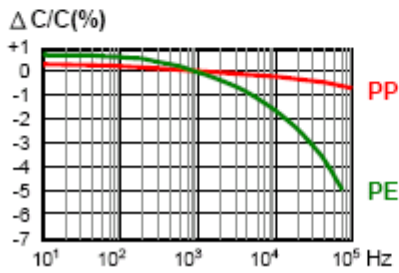
TS07X

CHARACTERISTICS REFERENCE

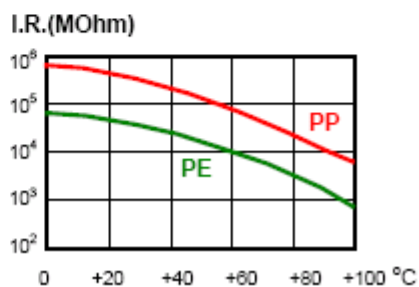
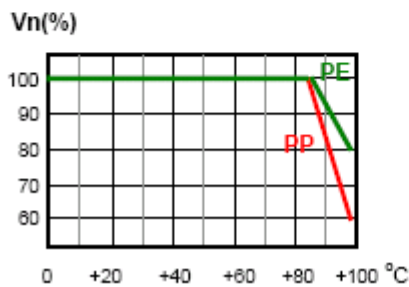
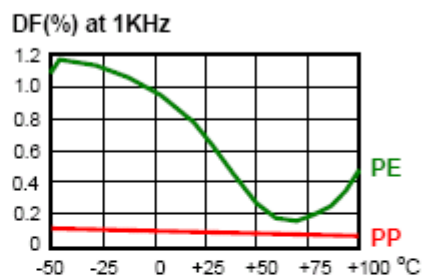
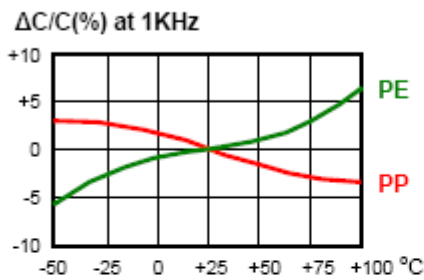
Soldering Temperature VS Time



Frequency Characteristics



Temperature Characteristics



Note: Specification are subject to change without notice. For more detail and update, please visit our website.