

# Metallized Polypropylene Film Capacitor

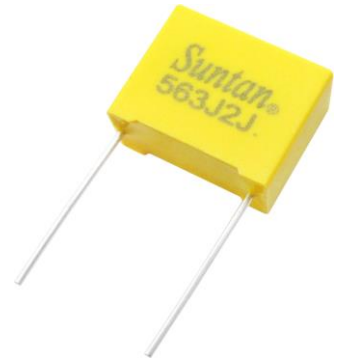
Suntan®

BOX - TYPE , DOUBLE SIDED

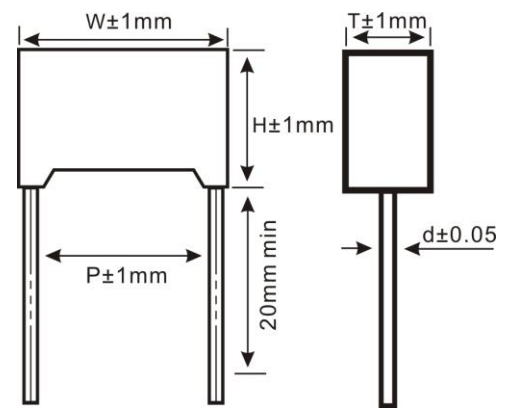
# TS09Q

## FEATURES

- Double sided metallized polypropylene structure
- Low loss and small inherent temperature rise
- Negative temperature coefficient of capacitance
- Excellent active and passive flame resistant abilities



| SPECIFICATIONS               |   |
|------------------------------|---|
| Reference Standard           | GB/T14579 (IEC 60384-17)  |
| Operating Temperature Range  | -40°C ~ +85°C   |
| Rated Voltage                | 630V, 1600V, 2000V  |
| Capacitance Range            | 0.001μF ~ 0.068μF 1KHz 1V   |
| Capacitance Tolerance        | ±5%(J), ±10%(K) 1KHz 1V   |
| Voltage Proof (V)            | 1.6U <sub>R</sub> (5s)<br>Charge current ≤50mA  |
| Dissipation Factor (tgδ)     | Tanδ ≤ 0.001 1kHz<br>Capacity and loss tangent measurements at 25 ± 2°C using 1 ± 0.1KHz  |
| Insulation Resistance (I.R.) | C ≤ 0.33 μF, IR ≥ 50000 MΩ<br>C > 0.33 μF, IR ≥ 15000 S (MΩ/μF)<br>Remark: T[s] = I.R. [MΩ] * C <sub>N</sub> [μF]<br>At 100VDC 60sec. |



| 250VDC (180VAC) |    |    |   |     |     |      |      |      |     |      |     |
|-----------------|----|----|---|-----|-----|------|------|------|-----|------|-----|
| μF              | W  | H  | T | P   | d   | μF   | W    | H    | T   | P    | d   |
| 0.0068          | 10 | 9  | 4 | 7.5 | 0.6 | 0.18 | 18   | 13.5 | 7.5 | 15   | 0.8 |
| 0.0082          | 10 | 9  | 4 | 7.5 | 0.6 | 0.22 | 18   | 13.5 | 7.5 | 15   | 0.8 |
| 0.01            | 10 | 9  | 4 | 7.5 | 0.6 |      | 26.5 | 15   | 6   | 22.5 | 0.8 |
| 0.012           | 10 | 9  | 4 | 7.5 | 0.6 | 0.27 | 18   | 14.5 | 8.5 | 15   | 0.8 |
| 0.015           | 10 | 9  | 4 | 7.5 | 0.6 |      | 26.5 | 15   | 6   | 22.5 | 0.8 |
| 0.018           | 10 | 9  | 4 | 7.5 | 0.6 | 0.33 | 18   | 16   | 10  | 15   | 0.8 |
| 0.022           | 10 | 9  | 4 | 7.5 | 0.6 |      | 26.5 | 15   | 6   | 22.5 | 0.8 |
| 0.027           | 10 | 11 | 5 | 7.5 | 0.6 | 0.39 | 18   | 16   | 10  | 15   | 0.8 |
| 0.033           | 10 | 11 | 5 | 7.5 | 0.6 |      | 26.5 | 16   | 7   | 22.5 | 0.8 |
| 0.039           | 10 | 12 | 6 | 7.5 | 0.6 | 0.47 | 26.5 | 16   | 7   | 22.5 | 0.8 |
| 0.047           | 10 | 12 | 6 | 7.5 | 0.6 | 0.56 | 26.5 | 17   | 8.5 | 22.5 | 0.8 |
| 0.027           | 13 | 9  | 4 | 10  | 0.6 | 0.68 | 26.5 | 19   | 10  | 22.5 | 0.8 |
| 0.033           | 13 | 9  | 4 | 10  | 0.6 | 0.82 | 26.5 | 19   | 10  | 22.5 | 0.8 |
| 0.039           | 13 | 9  | 4 | 10  | 0.6 |      | 32   | 18   | 9   | 27.5 | 0.8 |
| 0.047           | 12 | 11 | 5 | 10  | 0.6 | 1    | 26.5 | 22   | 12  | 22.5 | 0.8 |
| 0.056           | 12 | 11 | 5 | 10  | 0.6 |      | 32   | 20   | 11  | 27.5 | 0.8 |
| 0.068           | 13 | 12 | 6 | 10  | 0.6 | 1.2  | 32   | 20   | 11  | 27.5 | 0.8 |
|                 | 18 | 11 | 5 | 15  | 0.6 | 1.5  | 32   | 22   | 13  | 27.5 | 0.8 |
| 0.082           | 13 | 12 | 6 | 10  | 0.6 | 1.8  | 32   | 24.5 | 15  | 27.5 | 0.8 |
|                 | 18 | 11 | 5 | 15  | 0.6 | 2.2  | 32   | 24.5 | 15  | 27.5 | 0.8 |
| 0.1             | 18 | 11 | 5 | 15  | 0.6 | 2.7  | 32   | 33   | 18  | 27.5 | 0.8 |
| 0.12            | 18 | 12 | 6 | 15  | 0.6 | 3.3  | 32   | 33   | 18  | 27.5 | 0.8 |
| 0.15            | 18 | 12 | 6 | 15  | 0.6 | 3.9  | 32   | 33   | 18  | 27.5 | 0.8 |

# Metallized Polypropylene Film Capacitor

Suntan®

BOX - TYPE , DOUBLE SIDED

# TS09Q

| 400VDC (250VAC) |    |    |   |     |     |      |      |      |     |      |     |
|-----------------|----|----|---|-----|-----|------|------|------|-----|------|-----|
| μF              | W  | H  | T | P   | d   | μF   | W    | H    | T   | P    | d   |
| 0.0027          | 10 | 9  | 4 | 7.5 | 0.6 | 0.1  | 18   | 13.5 | 7.5 | 15   | 0.8 |
| 0.0033          | 10 | 9  | 4 | 7.5 | 0.6 | 0.12 | 18   | 13.5 | 7.5 | 15   | 0.8 |
| 0.0039          | 10 | 9  | 4 | 7.5 | 0.6 |      | 26.5 | 15   | 6   | 22.5 | 0.8 |
| 0.0047          | 10 | 9  | 4 | 7.5 | 0.6 | 0.15 | 18   | 14.5 | 8.5 | 15   | 0.8 |
| 0.0056          | 10 | 9  | 4 | 7.5 | 0.6 |      | 26.5 | 15   | 6   | 22.5 | 0.8 |
| 0.0068          | 10 | 9  | 4 | 7.5 | 0.6 | 0.18 | 18   | 16   | 10  | 15   | 0.8 |
| 0.0082          | 10 | 9  | 4 | 7.5 | 0.6 |      | 26.5 | 16   | 7   | 22.5 | 0.8 |
| 0.01            | 10 | 9  | 4 | 7.5 | 0.6 | 0.22 | 18   | 16   | 10  | 15   | 0.8 |
|                 | 13 | 9  | 4 | 10  | 0.6 |      | 26.5 | 16   | 7   | 22.5 | 0.8 |
| 0.012           | 10 | 9  | 4 | 7.5 | 0.6 | 0.27 | 18   | 19   | 11  | 15   | 0.8 |
|                 | 13 | 9  | 4 | 10  | 0.6 |      | 26.5 | 17   | 8.5 | 22.5 | 0.8 |
| 0.015           | 10 | 11 | 5 | 7.5 | 0.6 | 0.33 | 26.5 | 17   | 8.5 | 22.5 | 0.8 |
|                 | 13 | 9  | 4 | 10  | 0.6 | 0.39 | 26.5 | 19   | 10  | 22.5 | 0.8 |
| 0.018           | 10 | 11 | 5 | 7.5 | 0.6 |      | 32   | 18   | 9   | 27.5 | 0.8 |
|                 | 13 | 9  | 4 | 10  | 0.6 | 0.47 | 26.5 | 19   | 10  | 22.5 | 0.8 |
| 0.022           | 10 | 12 | 6 | 7.5 | 0.6 |      | 32   | 18   | 9   | 27.5 | 0.8 |
|                 | 13 | 9  | 4 | 10  | 0.6 | 0.56 | 26.5 | 22   | 12  | 22.5 | 0.8 |
| 0.027           | 10 | 12 | 6 | 7.5 | 0.6 |      | 32   | 20   | 11  | 27.5 | 0.8 |
|                 | 12 | 11 | 5 | 10  | 0.6 | 0.68 | 26.5 | 22   | 12  | 22.5 | 0.8 |
| 0.033           | 12 | 11 | 5 | 10  | 0.6 |      | 32   | 20   | 11  | 27.5 | 0.8 |
|                 | 18 | 11 | 5 | 15  | 0.6 | 0.82 | 32   | 22   | 13  | 27.5 | 0.8 |
| 0.039           | 13 | 12 | 6 | 10  | 0.6 | 1    | 32   | 24.5 | 15  | 27.5 | 0.8 |
|                 | 18 | 11 | 5 | 15  | 0.6 | 1.2  | 32   | 24.5 | 15  | 27.5 | 0.8 |
| 0.047           | 13 | 12 | 6 | 10  | 0.6 | 1.5  | 32   | 33   | 18  | 27.5 | 0.8 |
|                 | 18 | 11 | 5 | 15  | 0.6 | 1.8  | 32   | 33   | 18  | 27.5 | 0.8 |
| 0.056           | 18 | 11 | 5 | 15  | 0.6 |      |      |      |     |      |     |
| 0.068           | 18 | 12 | 6 | 15  | 0.6 |      |      |      |     |      |     |
| 0.082           | 18 | 12 | 6 | 15  | 0.6 |      |      |      |     |      |     |

# Metallized Polypropylene Film Capacitor

Suntan®

BOX - TYPE , DOUBLE SIDED

# TS09Q

| 630VDC (400VAC) |    |    |   |     |     |       |      |      |     |      |     |
|-----------------|----|----|---|-----|-----|-------|------|------|-----|------|-----|
| μF              | W  | H  | T | P   | d   | μF    | W    | H    | T   | P    | d   |
| 0.0007          | 10 | 9  | 4 | 7.5 | 0.6 | 0.039 | 18   | 12   | 6   | 15   | 0.8 |
| 0.0008          | 10 | 9  | 4 | 7.5 | 0.6 | 0.047 | 18   | 12   | 6   | 15   | 0.8 |
| 0.001           | 10 | 9  | 4 | 7.5 | 0.6 |       | 26.5 | 15   | 6   | 22.5 | 0.8 |
| 0.0012          | 10 | 9  | 4 | 7.5 | 0.6 | 0.056 | 18   | 13.5 | 7.5 | 15   | 0.8 |
| 0.0015          | 10 | 9  | 4 | 7.5 | 0.6 |       | 26.5 | 15   | 6   | 22.5 | 0.8 |
| 0.0018          | 10 | 9  | 4 | 7.5 | 0.6 | 0.068 | 18   | 14.5 | 8.5 | 15   | 0.8 |
| 0.0022          | 10 | 9  | 4 | 7.5 | 0.6 |       | 26.5 | 15   | 6   | 22.5 | 0.8 |
| 0.0027          | 10 | 9  | 4 | 7.5 | 0.6 | 0.082 | 18   | 14.5 | 8.5 | 15   | 0.8 |
| 0.0033          | 10 | 9  | 4 | 7.5 | 0.6 |       | 26.5 | 15   | 6   | 22.5 | 0.8 |
| 0.0039          | 10 | 9  | 4 | 7.5 | 0.6 | 0.1   | 18   | 16   | 10  | 15   | 0.8 |
|                 | 13 | 9  | 4 | 10  | 0.6 |       | 26.5 | 15   | 6   | 22.5 | 0.8 |
| 0.0047          | 10 | 9  | 4 | 7.5 | 0.6 | 0.12  | 18   | 19   | 11  | 15   | 0.8 |
|                 | 13 | 9  | 4 | 10  | 0.6 |       | 26.5 | 16   | 7   | 22.5 | 0.8 |
| 0.0056          | 10 | 9  | 4 | 7.5 | 0.6 | 0.15  | 26.5 | 17   | 8.5 | 22.5 | 0.8 |
|                 | 13 | 9  | 4 | 10  | 0.6 |       | 32   | 18   | 9   | 27.5 | 0.8 |
| 0.0068          | 10 | 11 | 5 | 7.5 | 0.6 | 0.18  | 26.5 | 17   | 8.5 | 22.5 | 0.8 |
|                 | 13 | 9  | 4 | 10  | 0.6 |       | 32   | 18   | 9   | 27.5 | 0.8 |
| 0.0082          | 10 | 11 | 5 | 7.5 | 0.6 | 0.22  | 26.5 | 19   | 10  | 22.5 | 0.8 |
|                 | 13 | 9  | 4 | 10  | 0.6 |       | 32   | 18   | 9   | 27.5 | 0.8 |
| 0.01            | 10 | 12 | 6 | 7.5 | 0.6 | 0.27  | 26.5 | 22   | 12  | 22.5 | 0.8 |
|                 | 12 | 11 | 5 | 10  | 0.6 |       | 32   | 18   | 9   | 27.5 | 0.8 |
|                 | 18 | 11 | 5 | 15  | 0.6 | 0.33  | 26.5 | 22   | 12  | 22.5 | 0.8 |
| 0.012           | 10 | 12 | 6 | 7.5 | 0.6 |       | 32   | 20   | 11  | 27.5 | 0.8 |
|                 | 12 | 11 | 5 | 10  | 0.6 | 0.39  | 26.5 | 22   | 12  | 22.5 | 0.8 |
|                 | 18 | 11 | 5 | 15  | 0.6 |       | 32   | 20   | 11  | 27.5 | 0.8 |
| 0.015           | 13 | 12 | 6 | 10  | 0.6 | 0.47  | 32   | 22   | 13  | 27.5 | 0.8 |
|                 | 18 | 11 | 5 | 15  | 0.6 | 0.56  | 32   | 22   | 13  | 27.5 | 0.8 |
| 0.018           | 13 | 12 | 6 | 10  | 0.6 | 0.68  | 32   | 24.5 | 15  | 27.5 | 0.8 |
|                 | 18 | 11 | 5 | 15  | 0.6 | 0.82  | 32   | 28   | 14  | 27.5 | 0.8 |
| 0.022           | 18 | 11 | 5 | 15  | 0.6 | 1     | 32   | 33   | 18  | 27.5 | 0.8 |
| 0.027           | 18 | 11 | 5 | 15  | 0.6 | 1.2   | 32   | 33   | 18  | 27.5 | 0.8 |
| 0.033           | 18 | 12 | 6 | 15  | 0.8 |       |      |      |     |      |     |

# Metallized Polypropylene Film Capacitor

Suntan®

BOX - TYPE , DOUBLE SIDED

## TS09Q

| 1000VDC (600VAC) |    |    |   |     |     |       |      |      |     |      |     |
|------------------|----|----|---|-----|-----|-------|------|------|-----|------|-----|
| µF               | W  | H  | T | P   | d   | µF    | W    | H    | T   | P    | d   |
| 0.0005           | 10 | 9  | 4 | 7.5 | 0.6 | 0.018 | 18   | 13.5 | 7.5 | 15   | 0.8 |
| 0.0006           | 10 | 9  | 4 | 7.5 | 0.6 | 0.022 | 18   | 13.5 | 7.5 | 15   | 0.8 |
| 0.0007           | 10 | 9  | 4 | 7.5 | 0.6 | 0.027 | 18   | 14.5 | 8.5 | 15   | 0.8 |
| 0.0008           | 10 | 9  | 4 | 7.5 | 0.6 |       | 26.5 | 15   | 6   | 22.5 | 0.8 |
| 0.001            | 10 | 9  | 4 | 7.5 | 0.6 | 0.033 | 18   | 16   | 10  | 15   | 0.8 |
|                  | 10 | 12 | 6 | 7.5 | 0.6 |       | 26.5 | 15   | 6   | 22.5 | 0.8 |
| 0.0012           | 10 | 9  | 4 | 7.5 | 0.6 | 0.039 | 18   | 16   | 10  | 15   | 0.8 |
|                  | 10 | 12 | 6 | 7.5 | 0.6 |       | 26.5 | 16   | 7   | 22.5 | 0.8 |
| 0.0015           | 10 | 9  | 4 | 7.5 | 0.6 | 0.047 | 18   | 19   | 11  | 15   | 0.8 |
|                  | 13 | 9  | 4 | 10  | 0.6 |       | 26.5 | 16   | 7   | 22.5 | 0.8 |
| 0.0018           | 10 | 9  | 4 | 7.5 | 0.6 | 0.056 | 26.5 | 17   | 8.5 | 22.5 | 0.8 |
|                  | 13 | 9  | 4 | 10  | 0.6 | 0.068 | 26.5 | 17   | 8.5 | 22.5 | 0.8 |
| 0.0022           | 10 | 9  | 4 | 7.5 | 0.6 | 0.082 | 26.5 | 19   | 10  | 22.5 | 0.8 |
|                  | 13 | 9  | 4 | 10  | 0.6 | 0.1   | 26.5 | 19   | 10  | 22.5 | 0.8 |
| 0.0027           | 10 | 11 | 5 | 7.5 | 0.6 |       | 32   | 18   | 9   | 27.5 | 0.8 |
|                  | 13 | 9  | 4 | 10  | 0.6 | 0.12  | 26.5 | 22   | 12  | 22.5 | 0.8 |
| 0.0033           | 10 | 11 | 5 | 7.5 | 0.6 |       | 32   | 18   | 9   | 27.5 | 0.8 |
|                  | 13 | 9  | 4 | 10  | 0.6 | 0.15  | 26.5 | 22   | 12  | 22.5 | 0.8 |
| 0.0039           | 12 | 11 | 5 | 10  | 0.6 |       | 32   | 20   | 11  | 27.5 | 0.8 |
| 0.0047           | 12 | 11 | 5 | 10  | 0.6 | 0.18  | 32   | 20   | 11  | 27.5 | 0.8 |
| 0.0056           | 13 | 12 | 6 | 10  | 0.6 | 0.22  | 32   | 22   | 13  | 27.5 | 0.8 |
| 0.0068           | 13 | 12 | 6 | 10  | 0.6 | 0.27  | 32   | 24.5 | 15  | 27.5 | 0.8 |
| 0.0082           | 18 | 11 | 5 | 15  | 0.6 | 0.33  | 32   | 24.5 | 15  | 27.5 | 0.8 |
| 0.01             | 18 | 11 | 5 | 15  | 0.6 | 0.39  | 32   | 33   | 18  | 27.5 | 0.8 |
| 0.012            | 18 | 11 | 5 | 15  | 0.6 | 0.47  | 32   | 33   | 18  | 27.5 | 0.8 |
| 0.015            | 18 | 11 | 5 | 15  | 0.6 |       |      |      |     |      |     |

| 1600VDC (650VAC) |        |      |      |      |     |       |      |      |      |      |      |
|------------------|--------|------|------|------|-----|-------|------|------|------|------|------|
| µF               | W      | H    | T    | P    | d   | µF    | W    | H    | T    | P    | d    |
| 0.0007           | 18     | 11   | 5    | 15   | 0.8 | 0.018 | 26.5 | 15   | 6    | 22.5 | 0.8  |
| 0.0008           | 18     | 11   | 5    | 15   | 0.8 | 0.022 | 26.5 | 15   | 6    | 22.5 | 0.8  |
| 0.001            | 18     | 11   | 5    | 15   | 0.8 | 0.027 | 26.5 | 15   | 6    | 22.5 | 0.8  |
| 0.0012           | 18     | 11   | 5    | 15   | 0.8 | 0.033 | 26.5 | 16   | 7    | 22.5 | 0.8  |
| 0.0015           | 18     | 11   | 5    | 15   | 0.8 |       | 26.5 | 17   | 8.5  | 22.5 | 0.8  |
| 0.0018           | 18     | 11   | 5    | 15   | 0.8 | 0.039 | 32   | 18   | 9    | 27.5 | 0.8  |
|                  | 0.0022 | 18   | 11   | 5    | 15  |       | 0.8  | 26.5 | 19   | 10   | 22.5 |
| 0.0027           | 18     | 11   | 5    | 15   | 0.8 | 0.047 | 32   | 18   | 9    | 27.5 | 0.8  |
|                  | 0.0033 | 18   | 11   | 5    | 15  |       | 0.8  | 26.5 | 19   | 10   | 22.5 |
| 0.0039           | 18     | 11   | 5    | 15   | 0.8 | 0.056 | 32   | 18   | 9    | 27.5 | 0.8  |
|                  | 0.0047 | 18   | 11   | 5    | 15  |       | 0.8  | 26.5 | 22   | 12   | 22.5 |
| 0.0056           | 18     | 11   | 5    | 15   | 0.8 | 0.068 | 32   | 18   | 9    | 27.5 | 0.8  |
|                  | 0.0068 | 18   | 11   | 5    | 15  |       | 0.8  | 26.5 | 22   | 12   | 22.5 |
| 0.0082           | 18     | 12   | 6    | 15   | 0.8 | 0.082 | 32   | 20   | 11   | 27.5 | 0.8  |
|                  | 0.01   | 18   | 12   | 6    | 15  |       | 0.8  | 32   | 20   | 11   | 27.5 |
| 0.012            | 18     | 13.5 | 7.5  | 15   | 0.8 | 0.12  | 32   | 22   | 12   | 27.5 | 0.8  |
|                  | 0.015  | 18   | 13.5 | 7.5  | 15  |       | 0.8  | 0.15 | 32   | 24.5 | 15   |
| 26.5             |        | 15   | 6    | 22.5 | 0.8 | 0.18  | 32   |      | 24.5 | 15   | 27.5 |
| 0.018            | 18     | 14.5 | 8.5  | 15   | 0.8 |       | 0.22 | 32   | 24.5 | 15   | 27.5 |
|                  | 0.022  | 18   | 14.5 | 8.5  | 15  | 0.8   |      | 32   | 24.5 | 15   | 27.5 |
| 0.027            | 18     | 16   | 10   | 15   | 0.8 | 0.27  | 32   | 24.5 | 15   | 27.5 | 0.8  |
|                  | 0.033  | 18   | 19   | 11   | 15  |       | 0.8  | 32   | 33   | 18   | 27.5 |

# Metallized Polypropylene Film Capacitor

Suntan®

BOX - TYPE , DOUBLE SIDED

# TS09Q

| 2000VDC (700VAC) |      |      |     |      |     |        |      |      |     |      |     |
|------------------|------|------|-----|------|-----|--------|------|------|-----|------|-----|
| μF               | W    | H    | T   | P    | d   | μF     | W    | H    | T   | P    | d   |
| 0.0002           | 18   | 11   | 5   | 15   | 0.8 | 0.0068 | 18   | 13.5 | 7.5 | 15   | 0.8 |
| 0.0003           | 18   | 11   | 5   | 15   | 0.8 |        | 26.5 | 15   | 6   | 22.5 | 0.8 |
| 0.0004           | 18   | 11   | 5   | 15   | 0.8 | 0.0082 | 18   | 14.5 | 8.5 | 15   | 0.8 |
| 0.0005           | 18   | 11   | 5   | 15   | 0.8 |        | 26.5 | 15   | 6   | 22.5 | 0.8 |
| 0.0006           | 18   | 11   | 5   | 15   | 0.8 | 0.01   | 18   | 16   | 10  | 15   | 0.8 |
| 0.0007           | 18   | 11   | 5   | 15   | 0.8 |        | 26.5 | 15   | 6   | 22.5 | 0.8 |
| 0.0008           | 18   | 11   | 5   | 15   | 0.8 | 0.012  | 18   | 16   | 10  | 15   | 0.8 |
| 0.001            | 18   | 11   | 5   | 15   | 0.8 |        | 26.5 | 15   | 6   | 22.5 | 0.8 |
|                  | 26.5 | 15   | 6   | 22.5 | 0.8 | 0.015  | 18   | 19   | 11  | 15   | 0.8 |
| 0.0012           | 18   | 11   | 5   | 15   | 0.8 |        | 26.5 | 16   | 7   | 22.5 | 0.8 |
|                  | 26.5 | 15   | 6   | 22.5 | 0.8 | 0.018  | 26.5 | 16   | 7   | 22.5 | 0.8 |
| 0.0015           | 18   | 11   | 5   | 15   | 0.8 | 0.022  | 26.5 | 17   | 8.5 | 22.5 | 0.8 |
|                  | 26.5 | 15   | 6   | 22.5 | 0.8 |        | 32   | 18   | 9   | 27.5 | 0.8 |
| 0.0018           | 18   | 11   | 5   | 15   | 0.8 | 0.027  | 26.5 | 19   | 10  | 22.5 | 0.8 |
|                  | 26.5 | 15   | 6   | 22.5 | 0.8 |        | 32   | 18   | 9   | 27.5 | 0.8 |
| 0.0022           | 18   | 11   | 5   | 15   | 0.8 | 0.033  | 26.5 | 19   | 10  | 22.5 | 0.8 |
|                  | 26.5 | 15   | 6   | 22.5 | 0.8 |        | 32   | 18   | 9   | 27.5 | 0.8 |
| 0.0027           | 18   | 11   | 5   | 15   | 0.8 | 0.039  | 26.5 | 22   | 12  | 22.5 | 0.8 |
|                  | 26.5 | 15   | 6   | 22.5 | 0.8 |        | 32   | 20   | 11  | 27.5 | 0.8 |
| 0.0033           | 18   | 12   | 6   | 15   | 0.8 | 0.047  | 26.5 | 22   | 12  | 22.5 | 0.8 |
|                  | 26.5 | 15   | 6   | 22.5 | 0.8 |        | 32   | 20   | 11  | 27.5 | 0.8 |
| 0.0039           | 18   | 12   | 6   | 15   | 0.8 | 0.056  | 32   | 22   | 13  | 27.5 | 0.8 |
|                  | 26.5 | 15   | 6   | 22.5 | 0.8 | 0.068  | 32   | 22   | 13  | 27.5 | 0.8 |
| 0.0047           | 18   | 12   | 6   | 15   | 0.8 | 0.082  | 32   | 24.5 | 15  | 27.5 | 0.8 |
|                  | 26.5 | 15   | 6   | 22.5 | 0.8 | 0.1    | 32   | 28   | 14  | 27.5 | 0.8 |
| 0.0056           | 18   | 13.5 | 7.5 | 15   | 0.8 | 0.12   | 32   | 33   | 18  | 27.5 | 0.8 |
|                  | 26.5 | 15   | 6   | 22.5 | 0.8 | 0.15   | 32   | 33   | 18  | 27.5 | 0.8 |

Note: Specifications are subject to change without notice. For more detail and update, please visit our website.