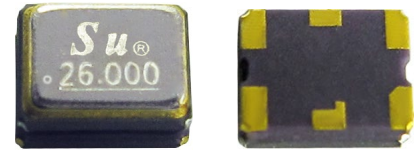


TSQ-2T2520



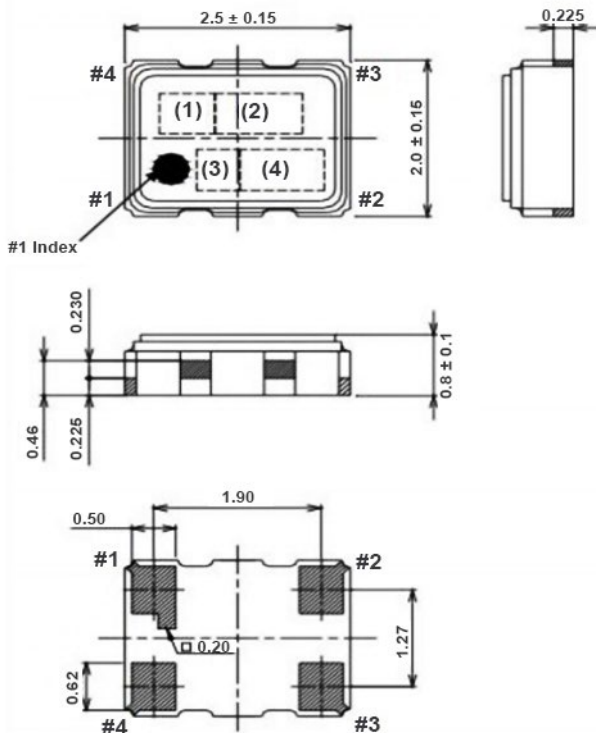
FEATURES

- Miniature 2.5×2.0 mm/ Ceramic Package
- High Stability
- Low phase noise
- Low power consumption
- Low Voltage Operation

ELECTRICAL SPECIFICATIONS

Frequency Range	13MHz to 52 MHz
Temperature Stability	±0.5ppm
Operating Temperature Range	-40°C ~ +85°C
Power Supply Voltage	1.8~3.3V DC ±10%.
Frequency Tolerance	±1.5ppm
Load Variation	(10KΩ//10PF) ±10%
Symmetry	45% to 55%
Output Voltage Level	VOL: 70%Vcc max. / VOH: 30%Vcc min.
Rise/ Fall Time	-134dBc/Hz
Start-up Time	2ms max.
Current	1.5mA
Storage Temperature Range	-55°C ~ +125°C
Aging (at 25°C)	±2ppm/year max.

Mechanical Dimensions: Unit: mm



Pin Connections

Pin No.	Connection
#1	GND
#2	GND
#3	OUTPUT
#4	Vcc

Unit: mm

Dimensional Tolerance: ±0.15

(Unless otherwise noted)

Note: Specifications are subject to change without notice. For more detail and update, please visit our website.