

# TSR-01

## FEATURES

- Rated Power: 2W
- 10 Turns
- Precision Adjustable
- Reliable Performance
- Small Size
- High Precision



## Electrical Characteristics

Standard Resistance Range	100Ω-100KΩ
Resistance Tolerance	±5%
Linearity	±0.5%
Effective Electrical Stroke	≥3600°-10°
Terminal resistance	≤0.2%R or 5Ω
Rotating Noise	≤3%R or 3Ω
Insulation Resistance	RI≥1GΩ
Withstanding Voltage	101.3kPa 710V, 8.5kPa 470V

## Environmental Characteristics

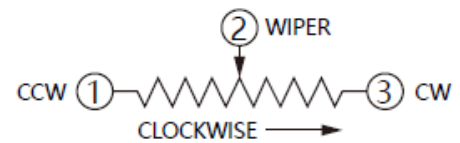
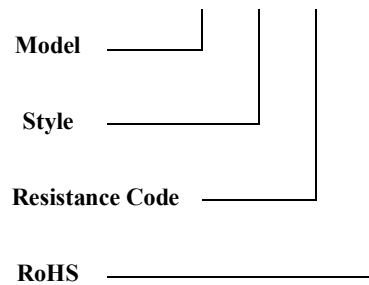
Power Rating (300 volts max.)	2W@+70°C, 0W@+125°C
Operating Temp. Range	-55°C~+125°C
Temperature Coefficient	±100ppm/°C
Temperature Variation	$\Delta R \leq 2\%R$ , $\Delta(Uab/Uac) \leq \pm 1\%$
Collision	390m/s <sup>2</sup> , 4000cycles, $R \leq \pm 1\%R$
Vibration	10-500Hz, 0.75mm, or 98m/s <sup>2</sup> , 6h $\Delta R \leq \pm 1\%R$ . $\Delta(Uab/Uac) \leq \pm 2\%$
Climate Sequence	$\Delta R \leq \pm 3\%R$ , $RI \geq 100M\Omega$
70°C Electrical Endurance	2W, 1000h, $\Delta R \leq \pm 3\%R$
Rotational Life	10000(cycles), $\Delta R \leq \pm 3\%R$
Steady State Heat	$\Delta R \leq \pm 3\%R$ , $RI \geq 100M\Omega$

## Physical Characteristics

Mechanical Angle	3600°±10°
Starting Torque	≤36 mN.m
Stop Strength	≤300 mN.m
Standard Packaging	25/50 Pieces/Inner Box, 200Pieces/Carton.

## How to Order

TSR-01-103-R

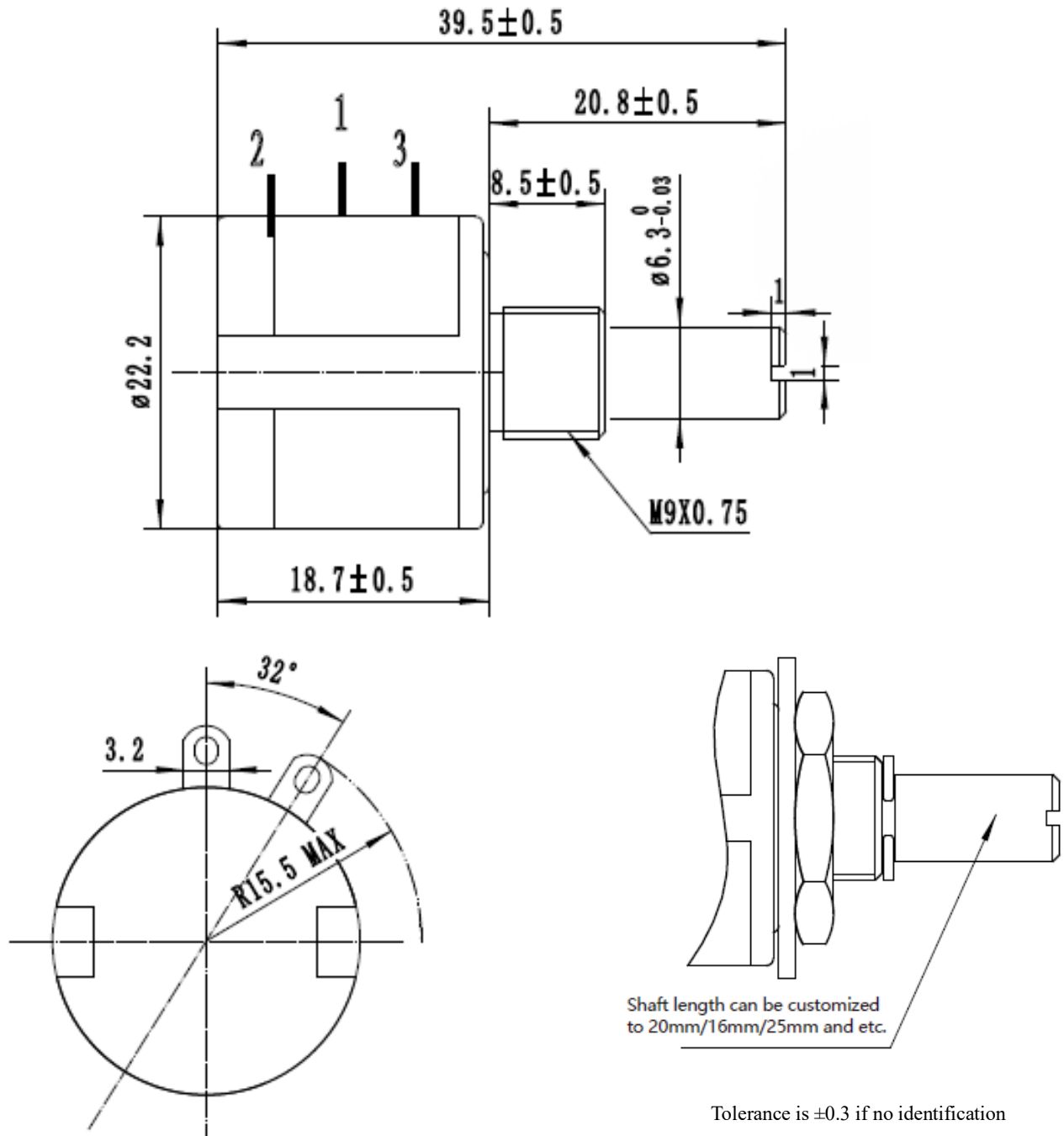


## Resistance Table

Resistance(Ohms)	Resistance Code
100	101
200	201
500	501
1,000	102
2,000	202
5,000	502
10,000	103
20,000	203
50,000	503
100,000	104

# TSR-01

**Common Dimensions:mm**



Support special customization (5 turns/3 turns, semicircular shaft/flat shaft, long shaft/short shaft and etc)

Note: Specifications are subject to change without notice. For more detail and update, please visit our website.