

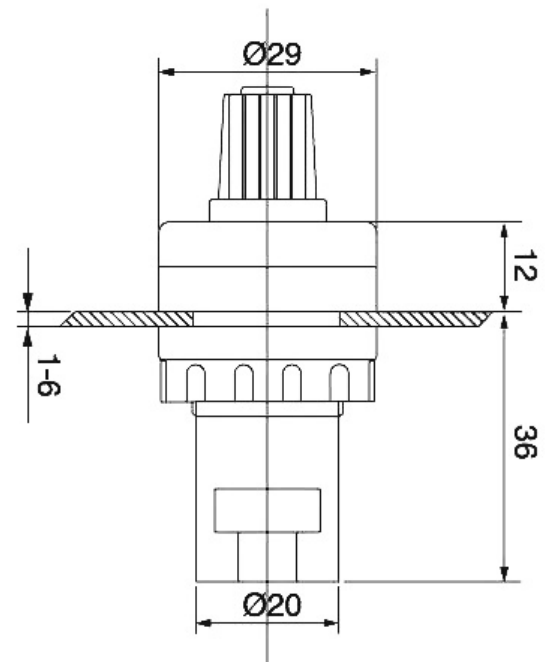
TSR-03



Common Dimensions

Electrical Characteristics	
Range of nominal resistance	5Ω~2MΩ
Resistance tolerance	±10% ±5%(customization)
Terminal resistance	≤±1%R or 2Ω
Contact resistance variation (CRV)	≤±1%R or 3Ω
Insulation resistance	≥ 1GΩ (100VAC)
Withstand voltage	101.3 KPa 500V; 8.5 KPa 350V
Rated power	0.5W (250V max)

Environment Characteristics	
Temperature range	-55°C~+125°C
Temperature Coefficient	±250, ±100ppm/°C
Collision (390m/S2, 4000 times)	ΔR≤±1%R
Vibration (10-500HZ, 0.75mm, 6h)	ΔR≤±1%R, ΔUab/Uac≤±2%R, Electrical break≤100μS
Temperature variation (-55°C/30min, +125°C/30min, 5 cycles)	ΔR≤±2%R, ΔUab/Uac≤±2%R
Climate category (IEC68-2-2)	ΔR≤± (5%R+0.1Ω), Insulation Resistance≥100MΩ
Electrical endurance (0.5W, 1000h)	ΔR≤± (5%R+0.1Ω), CRV≤±3%R or 5Ω
Mechanical endurance (200 cycles)	ΔR≤± (10%R+0.5Ω), CRV≤±3%R or 5Ω
Steady damp heat (IEC68-2-3, Ca, 96h)	ΔR≤± (5%R+0.1Ω), Insulation Resistance≥100MΩ



Physical Characteristics	
Total mechanical travel	260°±5°
Mounting Hole Diameter	22mm
Water proof	IP65

Note: Specifications are subject to change without notice. For more detail and update, please visit our website.